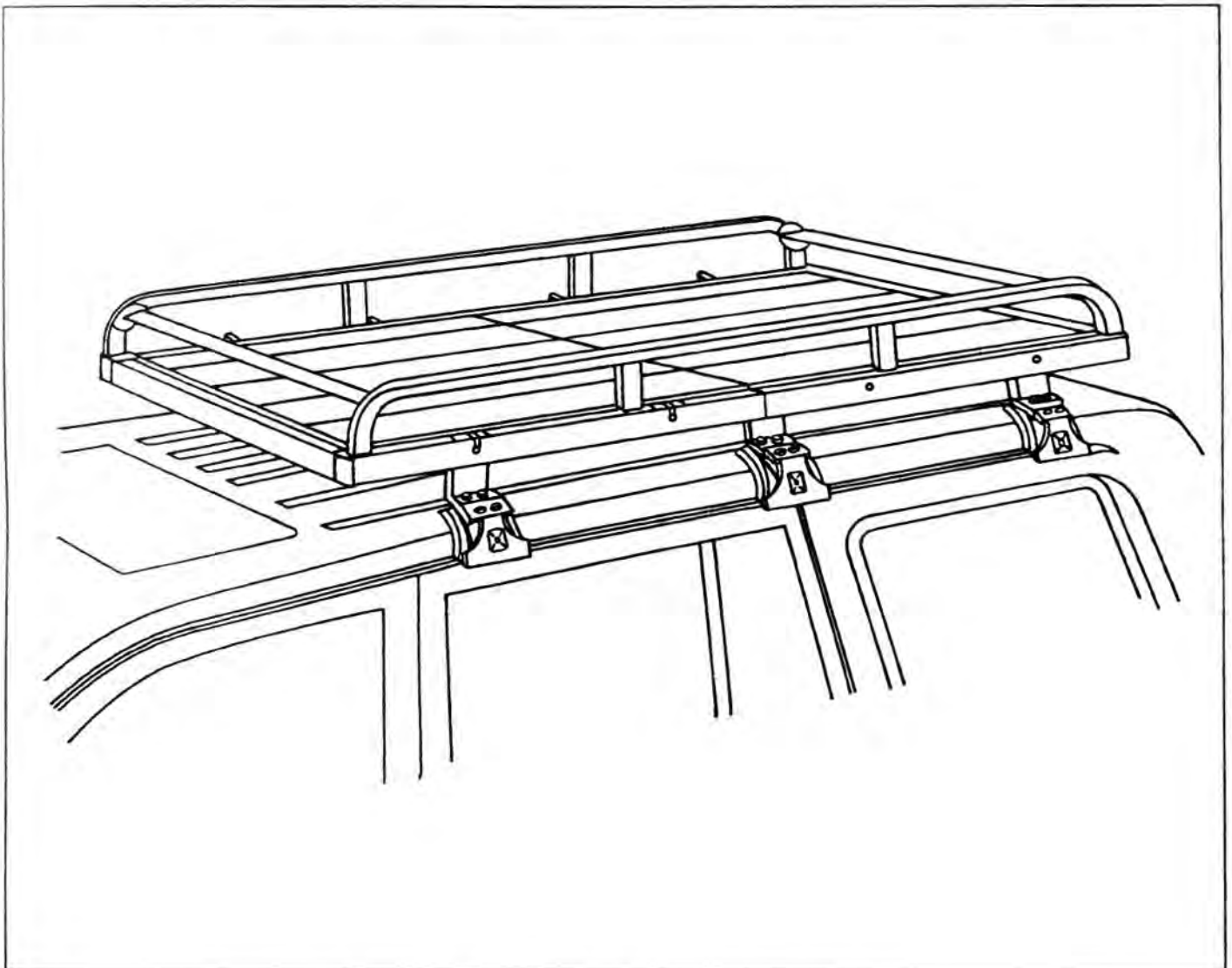


Instructions for Installing Roof Rack

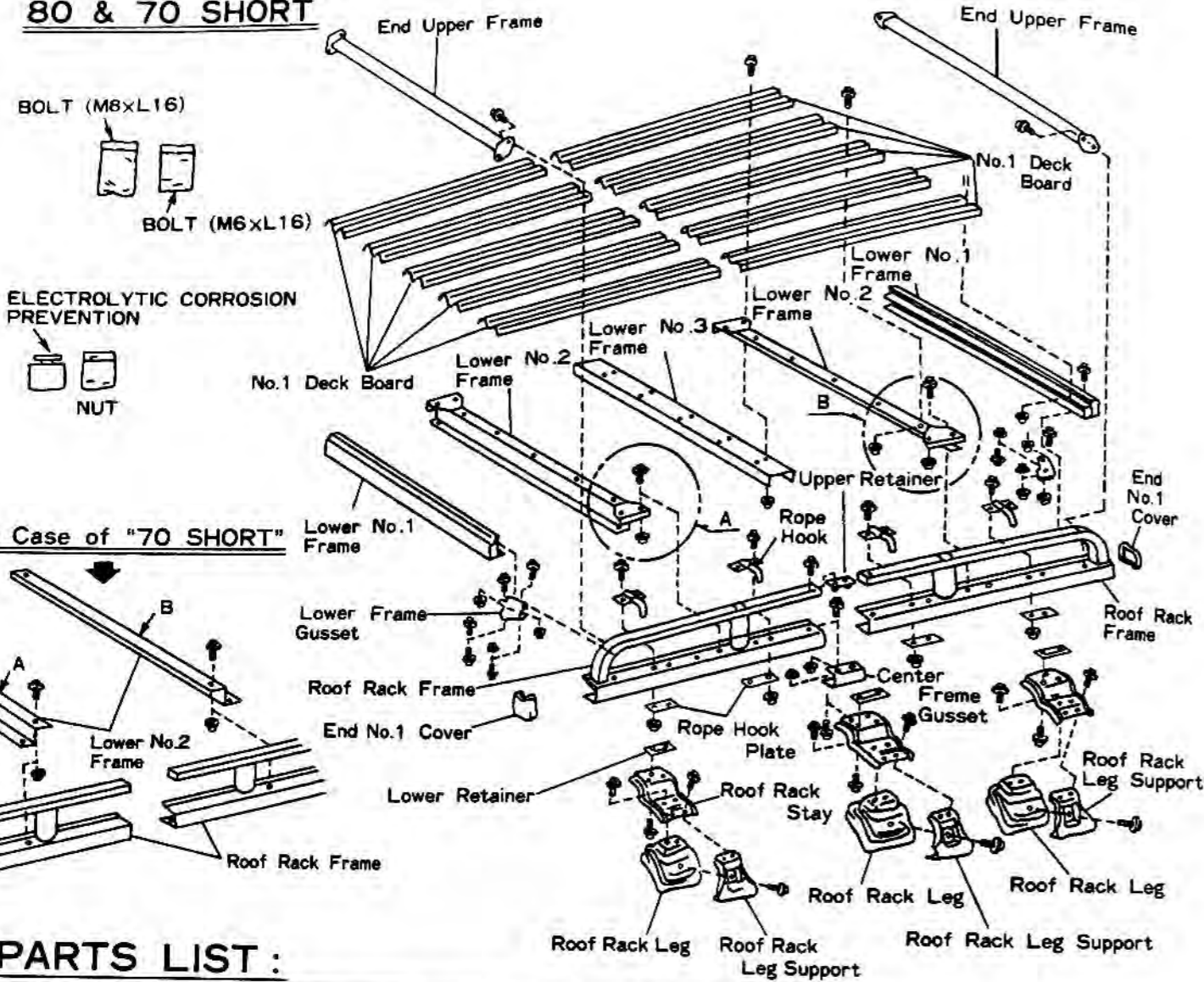
Applicable Models

TOYOTA
LAND CRUISER 80
70 SHORT
70 LONG

ILLUSTRATION:



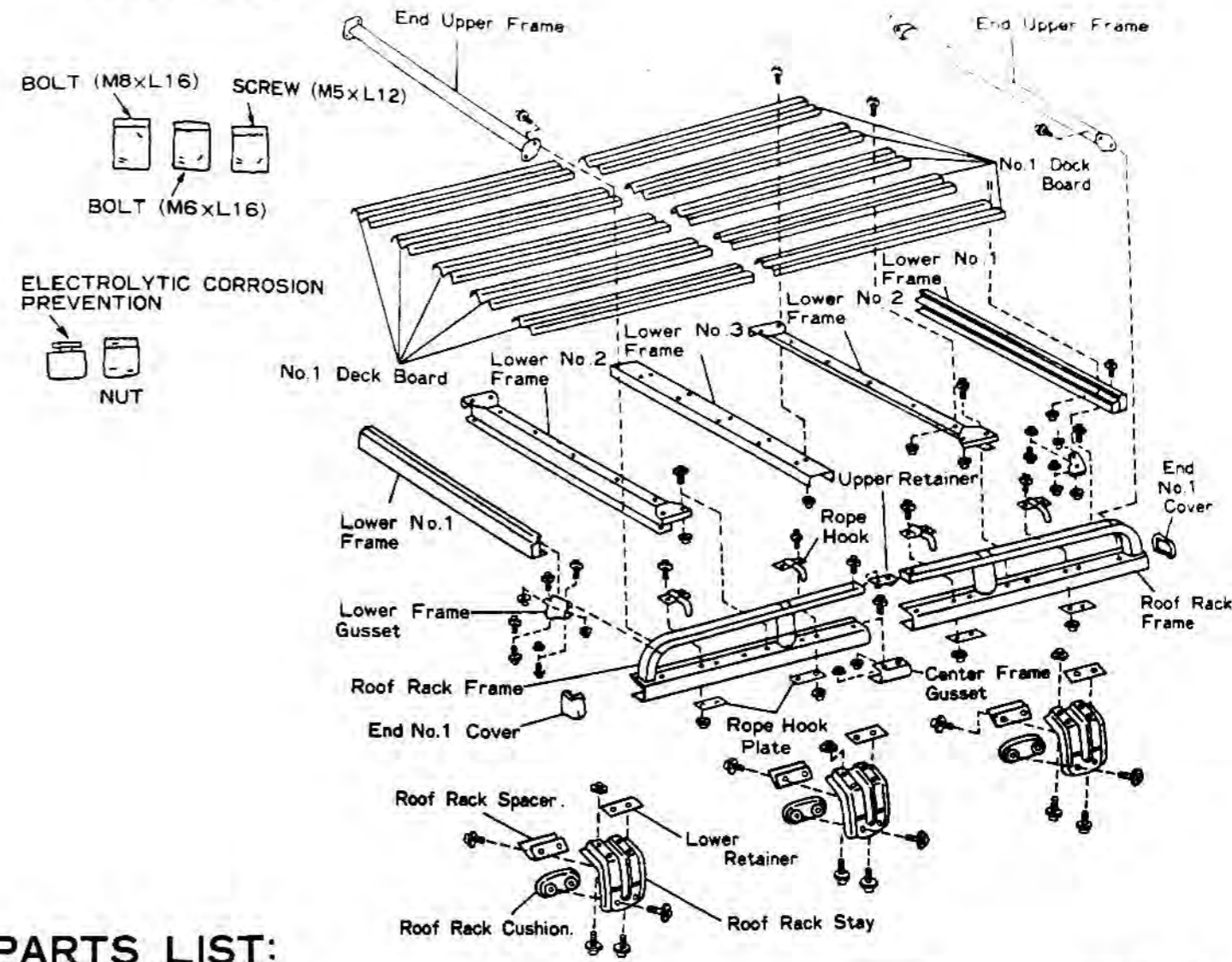
80 & 70 SHORT



PARTS LIST :

No.	Part Name	Q'ty	No.	Part Name	Q'ty
1	ROOF RACK FRAME	4	14	ROOF RACK STAY (with a carved stamp)	6
2	LOWER RETAINER	6	15	ROOF RACK LEG (with a carved stamp)	6
3	UPPER RETAINER	2	16	ROOF RACK LEG SUPPORT (with a carved stamp)	6
4	CENTER FRAME GUSSET	2	17	BOLT (M6xL16) for Roof Rack Frame Assy 6.8~9.8 N·m (70~100 kgf·cm) * (80 Only)	114
5	LOWER FRAME GUSSET	4		BOLT (M6xL16) * (70 SHORT Only)	110
6	END No. 1 COVER	4	18	NUT *(80 Only)	90
7	LOWER No. 1 FRAME	2		NUT *(70 SHORT Only)	86
8	LOWER No. 2 FRAME	2	19	ELECTROLYTIC CORROSION PREVENTION	1
9	LOWER No. 3 FRAME	1	20	BOLT (M8xL16) for Roof Rack Leg 19 N·m (194 kgf·cm)	30
10	END UPPER FRAME	2			
11	No. 1 DECK BOARD	10			
12	ROPE HOOK	8			
13	ROPE HOOK PLATE	8			

70 LONG

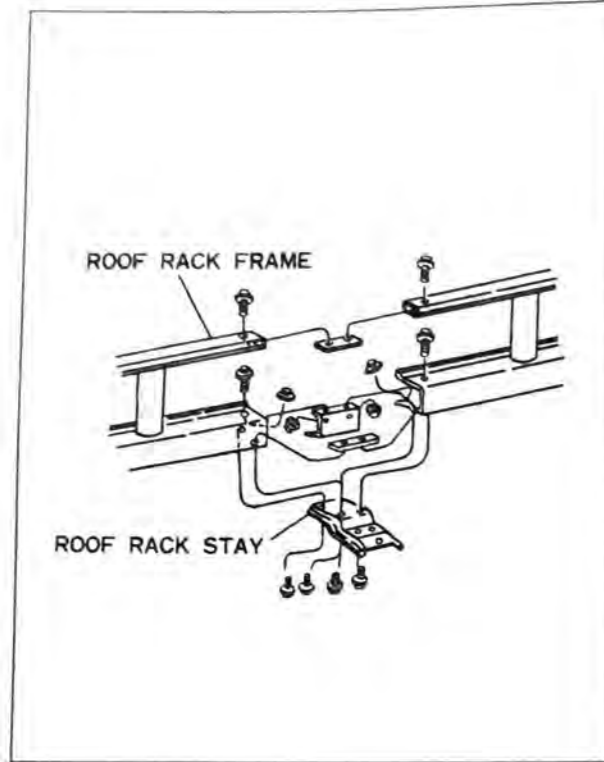


PARTS LIST :

No.	Part Name	Q'ty	No.	Part Name	Q'ty
1	ROOF RACK FRAME	4	13	ROPE HOOK PLATE	8
2	LOWER RETAINER	6	14	ROOF RACK STAY	6
3	UPPER RETAINER	2	15	ROOF RACK SPACER	6
4	CENTER FRAME GUSSET	2	16	SCREW (M5xL12)	12
5	LOWER FRAME GUSSET	4	17	ROOF RACK CUSHION	6
6	END No. 1 COVER	4	18	BOLT (M6xL16) for Roof Rack Frame Assy 6.8~9.8 N·m (70~100 kgf·cm)	120
7	LOWER No. 1 FRAME	2	19	NUT	96
8	LOWER No. 2 FRAME	2	20	ELECTROLYTIC CORROSION PREVENTION	1
9	LOWER No. 3 FRAME	1	21	BOLT (M8xL16) for Roof Rack Leg 19 N·m (194 kgf·cm)	12
10	END UPPER FRAME	2			
11	No. 1 DECK BOARD	10			
12	ROPE HOOK	8			

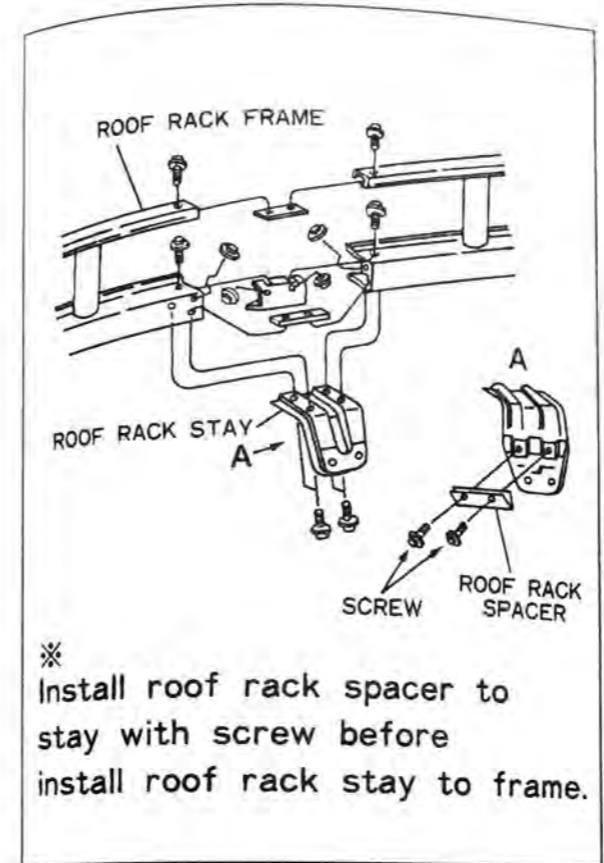
INSTALLATION PROCEDURES:
 <In case of "80 & 70 SHORT">

INSTALLATION PROCEDURES:
 <In case of "70 LONG">



- 1. ROOF RACK FRAME ASSEMBLY**
- (1) Insert the lower and upper retainers in the roof rack frames to align the holes of the retainers with the holes of the roof rack frames. Then temporarily tighten them with bolts.
 - (2) Set the center frame gusset in the joint of the roof rack frames, then temporarily tighten them with bolts and nuts.
 - (3) Install the roof rack stay to the joint with bolts and nuts according to the carved stamp on the back of the stay.

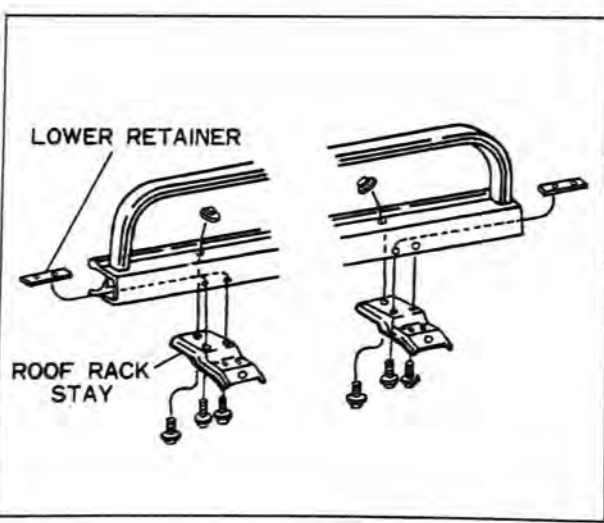
NOTE: Apply the electrolytic corrosion prevention to the contact surface of the inside of the roof rack frames and the center frame gusset, as well as the underside of the roof rack frames and the stay.



※ Install roof rack spacer to stay with screw before install roof rack stay to frame.

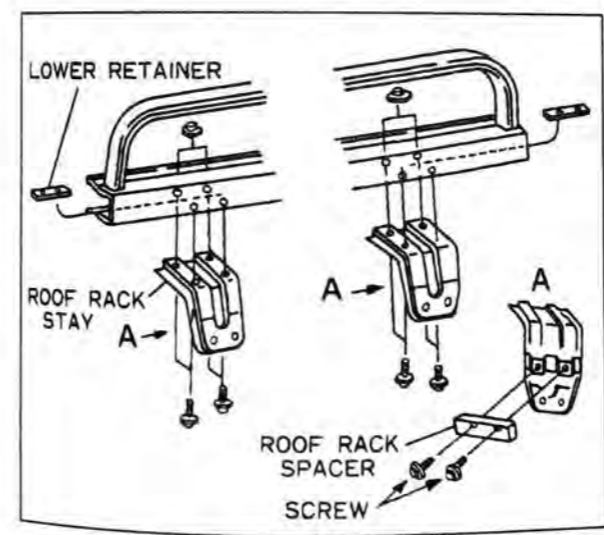
- 1. ROOF RACK FRAME ASSEMBLY**
- (1) Insert the lower and upper retainers in the roof rack frames to align the holes of the retainers with the holes of the roof rack frames. Then temporarily tighten them with bolts.
 - (2) Set the center frame gusset in the joint of the roof rack frames, then temporarily tighten them with bolts and nuts.
 - (3) Install the roof rack stay to the joint with bolts and nuts according to the following classification of roof rack stay.

NOTE: Apply the electrolytic corrosion prevention to the contact surface of the inside of the roof rack frames and the center frame gusset, as well as the underside of the roof rack frames and the stay.



- (4) Install 2 roof rack stays in the front and in the rear of the roof rack frames after inserting the lower retainers from both ends of the roof rack frames according to the carved stamp on the back of the stays as illustrated.

NOTE: Apply the electrolytic corrosion prevention to the contact surface of the underside of the roof rack frames and the stays.



- (4) Install 2 roof rack stays in the front and in the rear of the roof rack frames after inserting the lower retainers from both ends of the roof rack frames according to the following classification of roof rack stay.

NOTE: Apply the electrolytic corrosion prevention to the contact surface of the underside of the roof rack frames and the stays.

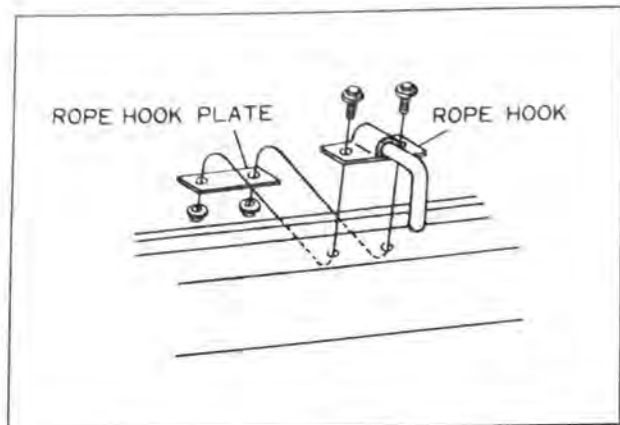
<classification of roof rack stay>

Stay No	a (mm)	b (mm)
①	19.8mm	83.2mm
②	18.0mm	80.2mm
③	21.5mm	88.2mm

<Carved Stamp of Stay>

		Front	Center	Rear
80 ONLY	Right	FR	CTR	RR RH
	Left	FR	CTR	RR LH
70 SHORT ONLY	Right	RH		
	Left	LH		

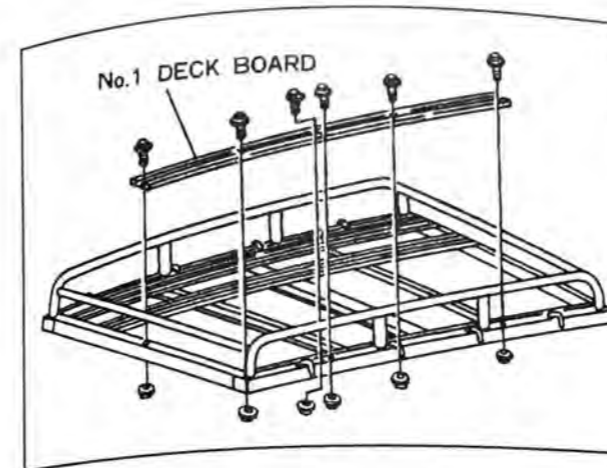
- (5) Assemble the other roof rack frames according to the above steps.



2. ROPE HOOK INSTALLATION

- (1) Install the rope hooks on the roof rack frame assembly with the rope hook plates, bolts and nuts as illustrated.

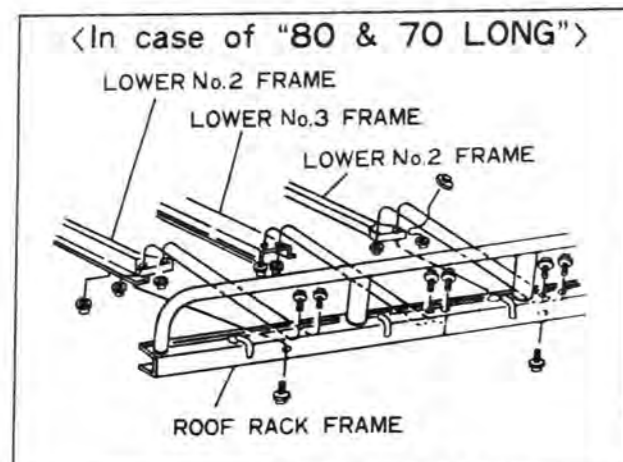
NOTE: Apply the electrolytic corrosion prevention to the contact surface of the roof rack frame assembly, the rope hooks and the rope hook plates.



4. DECK BOARD FIXATION

- (1) Fix the No. 1 deck boards securely on the frames with bolts and nuts as illustrated.

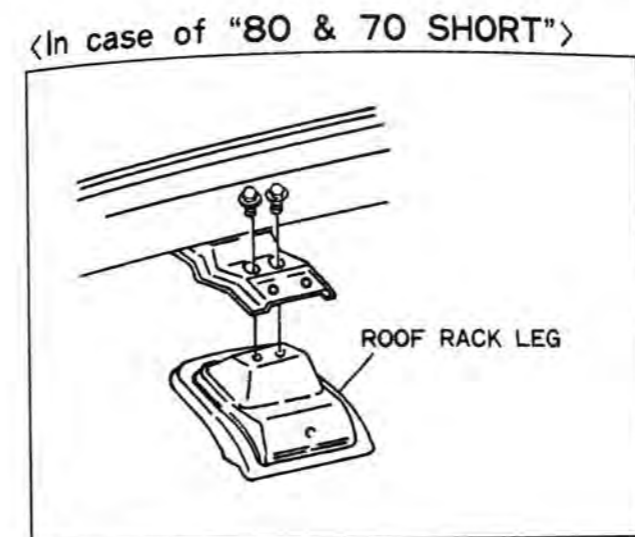
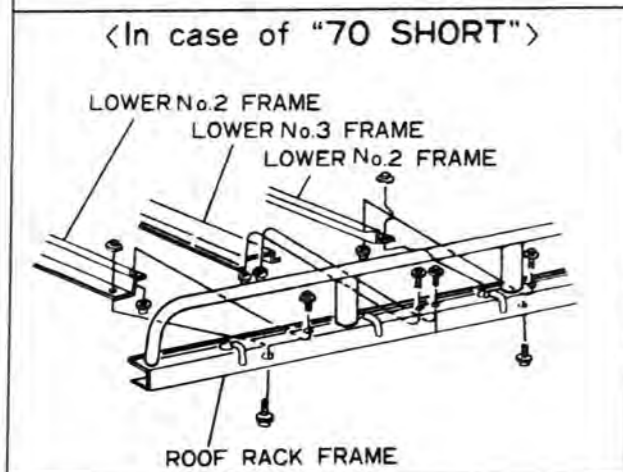
NOTE: Apply the electrolytic corrosion prevention to the contact surface.



3. FRAME INSTALLATION

- (1) Install the lower frame No. 2 and No. 3 to the roof rack frame assembly with bolts and nuts as illustrated. Then retighten all bolts and nuts of the roof rack frame assembly.

NOTE: Apply the electrolytic corrosion prevention to the contact surface of the roof rack frame assembly and the lower frames.

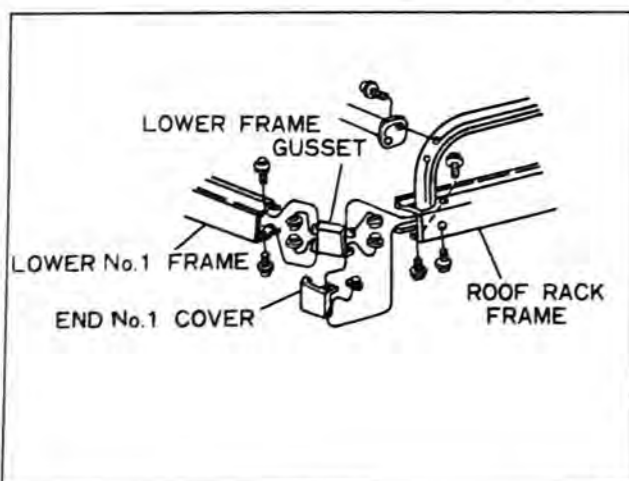


5. LEG INSTALLATION

- (1) Install the roof rack leg to each roof rack stay with bolts according to the carved stamp on the back of the legs.

<Carved Stamp of Leg>

		Front	Center	Rear
80 ONLY	Right	FR		
	Left	FR		
70 SHORT ONLY	Right	FR R		RR R
	Left	FR L		RR L

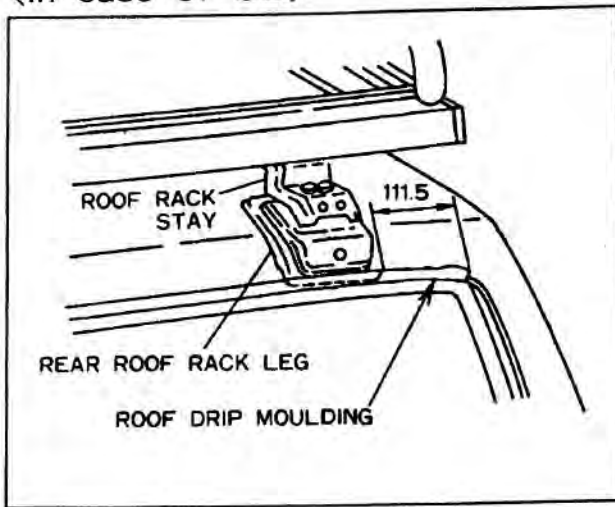


- (2) Install the end No. 1 covers and the lower No. 1 frames with bolts and nuts in the front and in the rear of the roof rack frame assembly as illustrated.

NOTE: Apply the electrolytic corrosion prevention to the contact surface.

- (3) Install the end upper frames to the roof rack frames assembly with bolts.

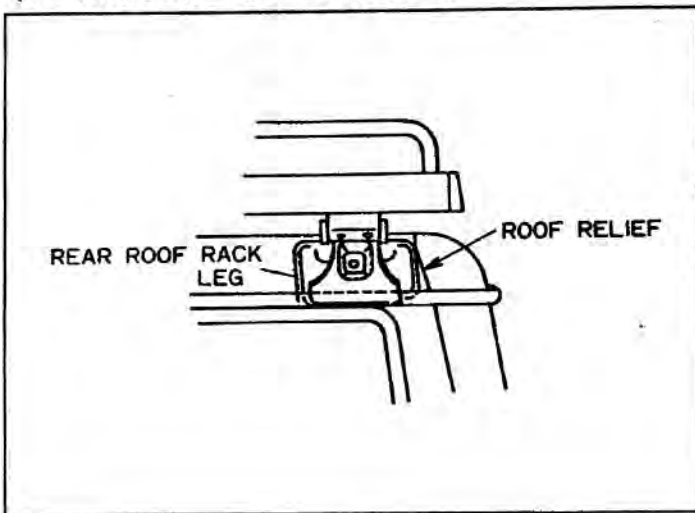
<In case of 80>



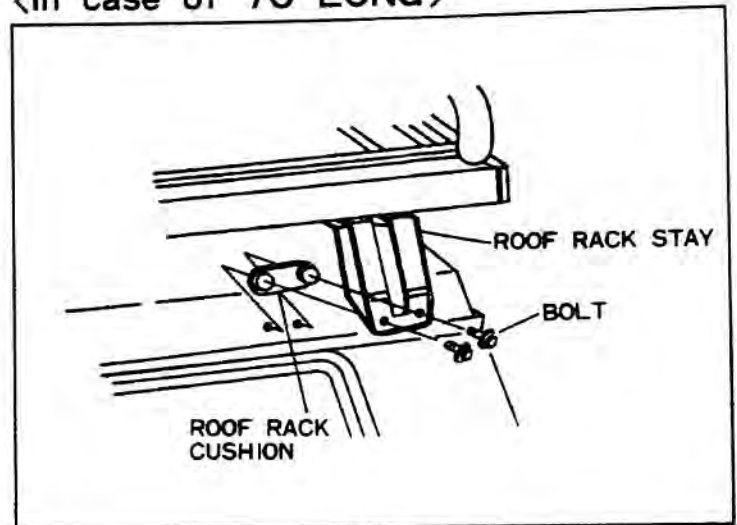
6. ROOF RACK INSTALLATION

- (1) Place the roof rack assembly on the vehicle roof, and position the rear roof rack leg as shown in the illustration.

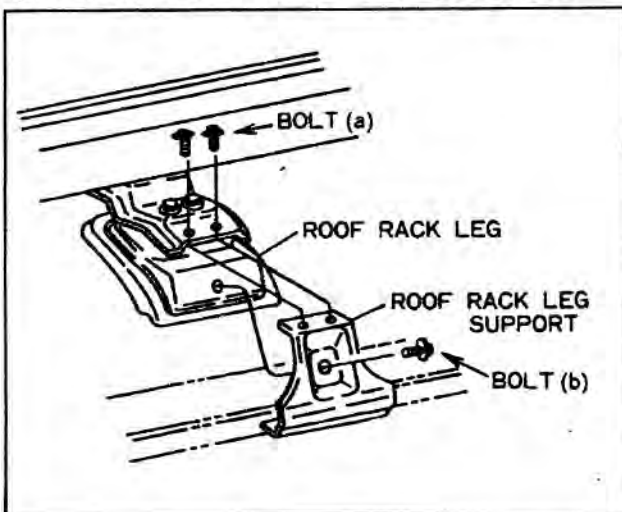
<In case of 70 SHORT>



<In case of 70 LONG>



<In case of 80 & 70 SHORT>



- (2) Hang the roof rack leg supports on the roof drip, and fix the roof rack assembly to the vehicle with bolts as illustrated in case of 80 & 70 SHORT.

NOTE: After tightening the bolt(a), tighten the bolt(b).

- (3) Securely fix it and retighten with spanner.
- (4) Lastly confirm the tightening of all parts.

<Carved Stamp of Support>

		Front	Center	Rear
80 ONLY	Right			
	Left			
70 SHORT ONLY	Right	FR	FR	RR
	Left	FR	FR	RR