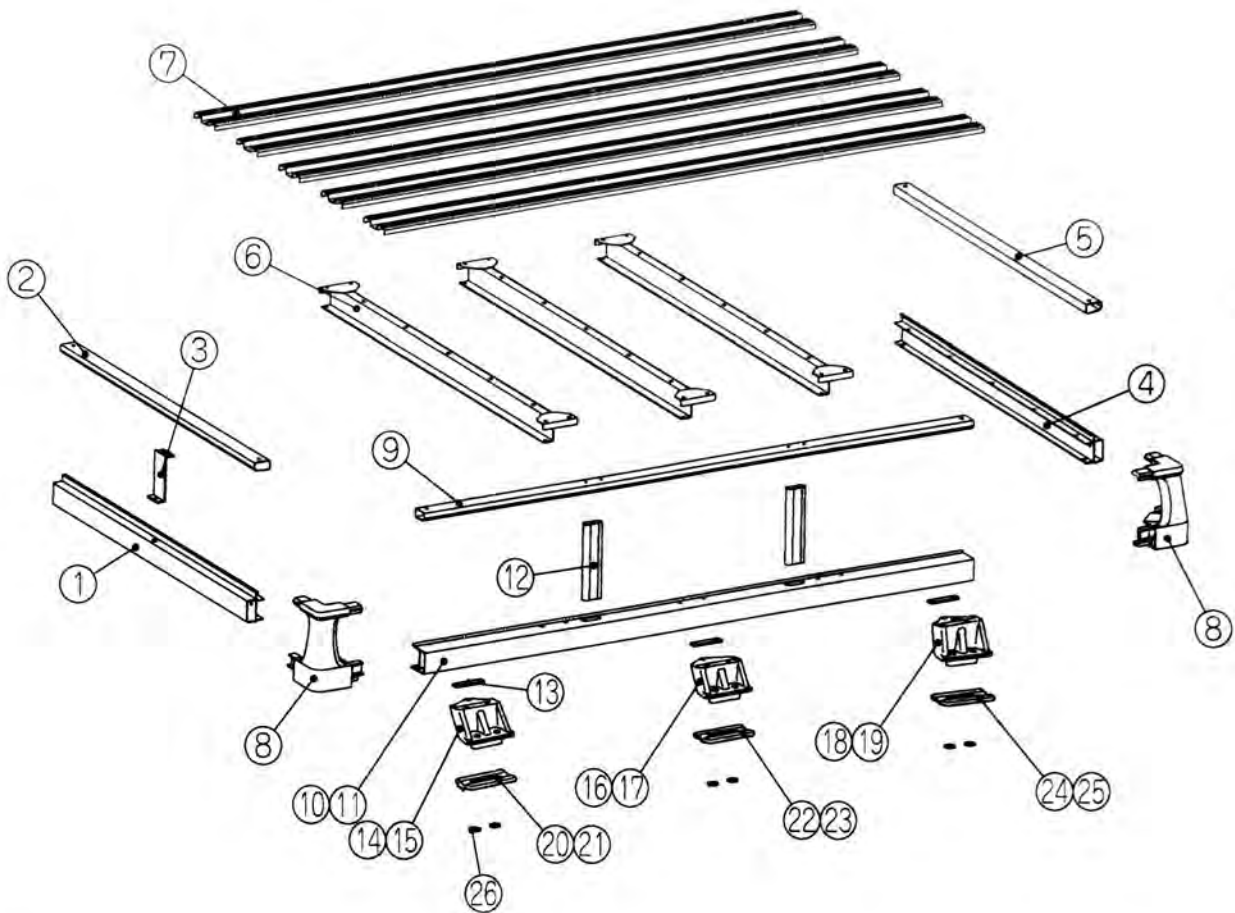


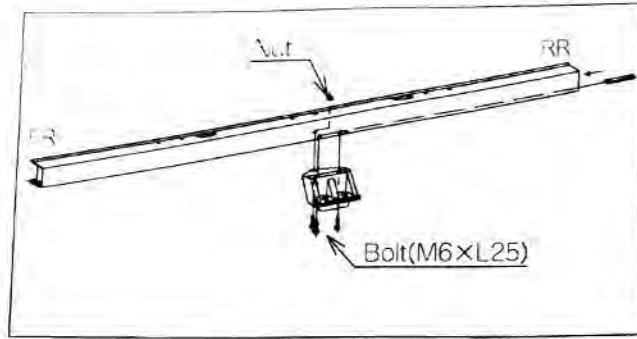
ROOF RACK INSTALLATION PROCEDURE



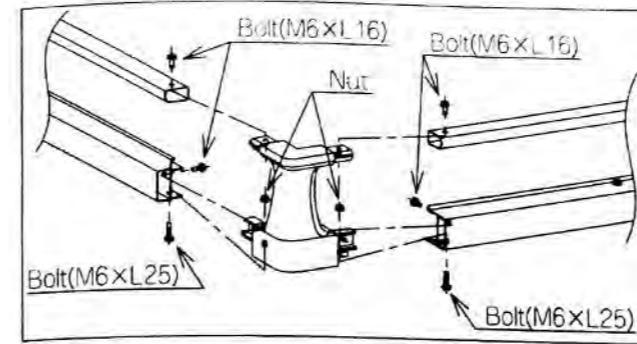
[Part List]

No.	Part Name	QTY	No.	Part Name	QTY
①	Frame, Roof Rack, LWR No.2	1	⑳	Cushion, Roof Rack Leg, FR RH	1
②	Frame, Roof Rack, UPR, FR	1	㉑	Cushion, Roof Rack Leg, FR LH	1
③	Bracket, Roof Rack, FR	1	㉒	Cushion, Roof Rack Leg, CTR RH	1
④	Frame, Roof Rack, LWR No.1	1	㉓	Cushion, Roof Rack Leg, CTR LH	1
⑤	Frame, Roof Rack, UPR, RR	1	㉔	Cushion, Roof Rack Leg, RR RH	1
⑥	Plate, Roof Rack Support, No.1	3	㉕	Cushion, Roof Rack Leg, RR LH	1
⑦	Board, Roof Rack Deck, No.1	5	㉖	Plate, Roof Rack Leg	12
⑧	Cover, Roof Rack End, No.1	4	㉗	Screw, Pan Tapping	8
⑨	Frame, Roof Rack Side Rail, UPR No.1	2	㉘	Nut	57
⑩	Frame, Roof Rack Side Rail, LWR, RH	1	㉙	Bolt, w/Washer(M6×L16) for Roof Rack Frame Assembly 6.8~9.8N·m	69
⑪	Frame, Roof Rack Side Rail, LWR, LH	1			
⑫	Support, Roof Rack Side Frame	4			
⑬	Gusset, Roof Rack LWR Frame	6	㉚	Bolt, w/Washer(M6×L25) for Roof Rack Leg and Frame Assembly 6.8~9.8N·m	26
⑭	Leg, Roof Rack, FR RH	1			
⑮	Leg, Roof Rack, FR LH	1			
⑯	Leg, Roof Rack, CTR RH	1			
⑰	Leg, Roof Rack, CTR LH	1	㉛	Bolt, w/Washer(M8×L52) for Roof Rack Leg 31.8~58.5N·m	12
⑱	Leg, Roof Rack, RR RH	1			
㉑	Leg, Roof Rack, RR LH	1			

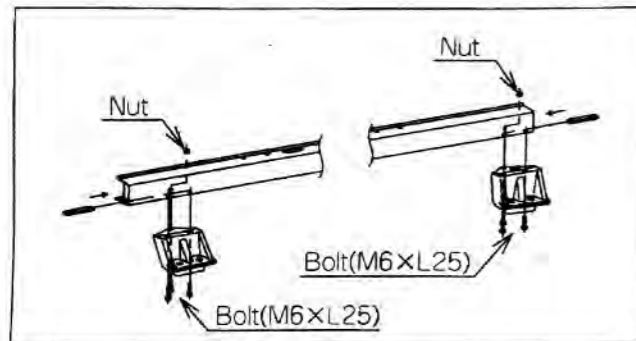
Installation Procedures:



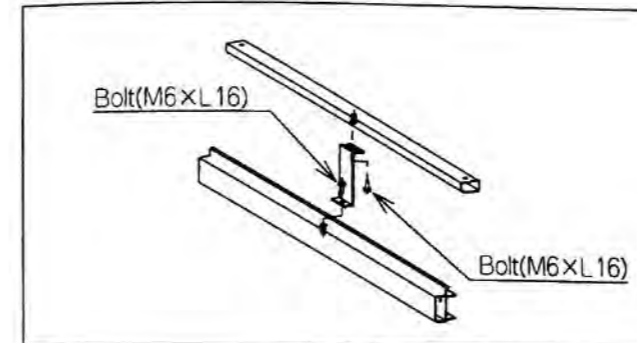
- 1.(1) Set the center roof rack leg to the lower roof rack side rail frame to align the locating boss of the leg with the holes of the frame and temporarily tighten them with bolts and nuts.
- (2) Insert the roof rack center frame gusset into the lower roof rack side rail frame from rear end of the frame and temporarily tighten them with bolts.



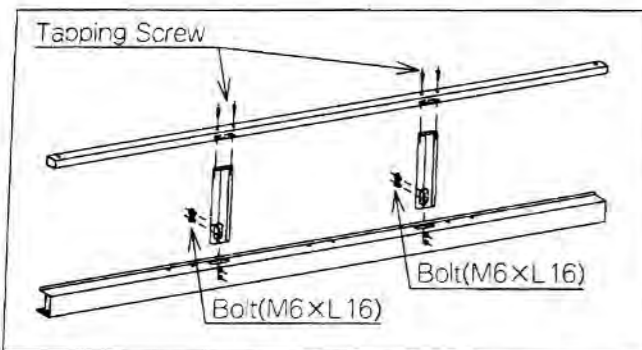
6. Install the upper roof rack frames, the lower roof rack frames and the roof rack side frame rail assemblies in the No.1 roof rack end covers with bolts and nuts.



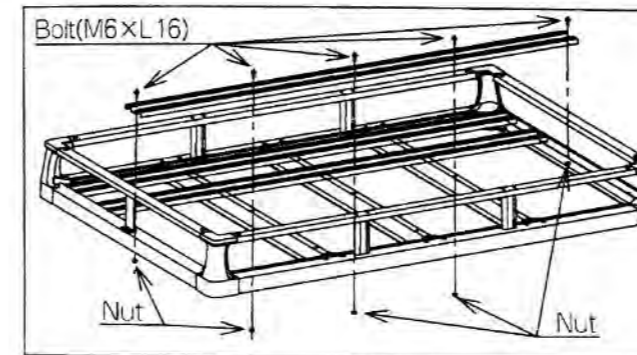
- 2.(1) Insert the roof rack lower frame gussets into the lower roof rack side rail frame.
- (2) Set the front and rear roof rack legs to the lower roof rack side rail frame according to the carved stamp on the back of the legs. Hint: Right side; "RH", Left side; "LH"
- (3) Then temporarily tighten them with bolts and nut



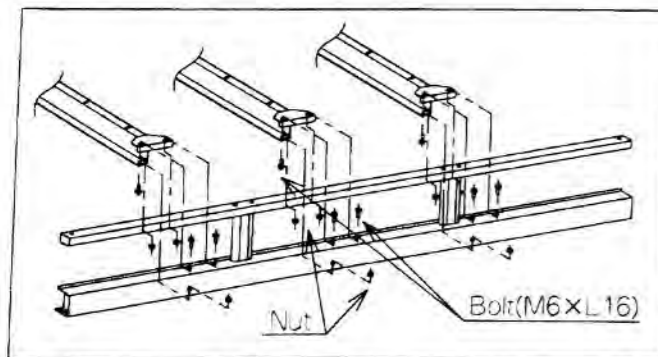
7. Install the front roof rack bracket to the front upper roof rack frame and the lower No.2 roof rack frame with bolts.



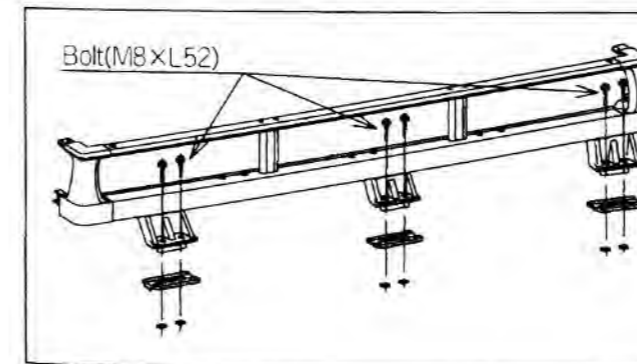
- 3.(1) Install the roof rack side frame supports in the lower roof rack side rail frame with bolts.
- (2) Install the supports in the upper No.1 roof rack side rail frame assembly with bolts and screws.
4. Assemble the other roof rack side rail frame according to the above steps.



8. Install the No.1 roof rack deck boards to the roof rack assembly with bolts and nuts.



5. Install the No.1 roof rack support plates in the roof rack side rail frame assembly with bolts and nuts.



9. Attach the roof rack leg plates to each roof rack leg and fit the roof rack leg cushions to each roof rack leg according to the carved stamp on the back of the leg cushion. Hint: Right side; "RH", Left side; "LH"
10. Fix the roof rack assembly to the vehicle with bolts.
11. Surely tighten the roof rack legs to the roof rack side rail frames and lastly confirm the tightening of all parts.